

Aqua Spray Order Form (GA12)

Date _____

Builder Name _____

Distributor & Contact _____

Phone Number _____

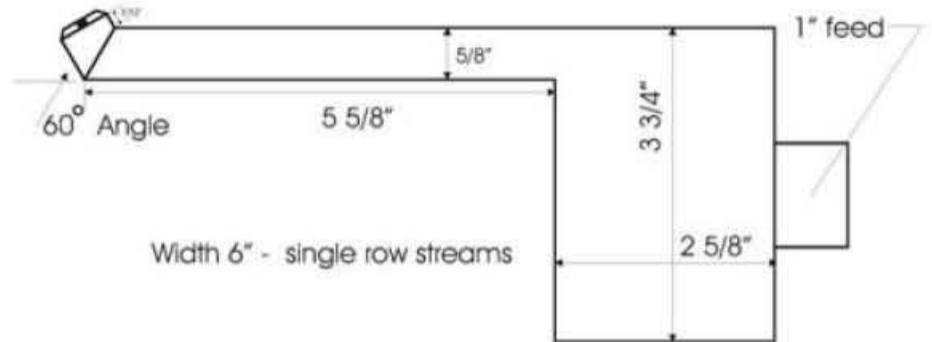
Phone Number _____

Fax Number _____

Fax Number _____

Aqua Spray for Concrete Pools (Size 6" with 12 streams at a 60 degree arc)

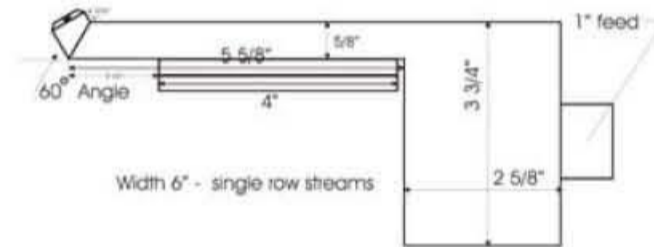
GA1210606 6" Nozzle length Qty _____
 GA1210609 9" Nozzle length Qty _____
 GA1210612 12" Nozzle length Qty _____



Aqua Spray for Vinyl Pool (unit only)

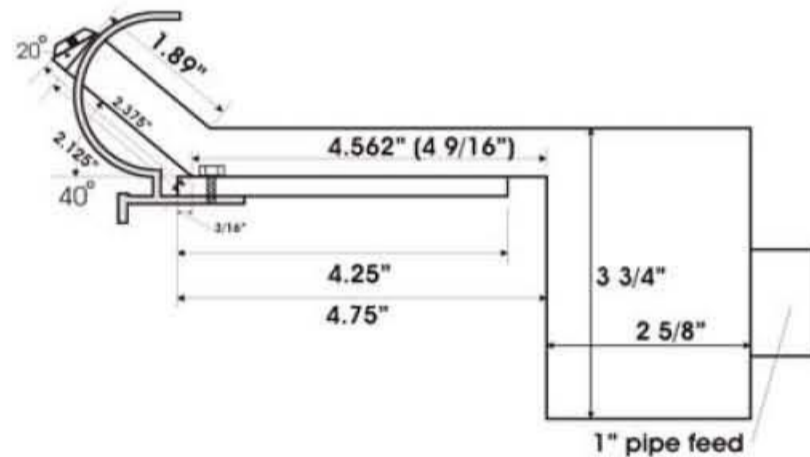
GA1206VP Qty _____

(Size 6" with 12 streams at a 60 degree arc)



Aqua Spray for Vinyl Pool (Pre-installed in aluminum coping)

GA1206AC Mfg. _____
 Model _____
 Qty _____

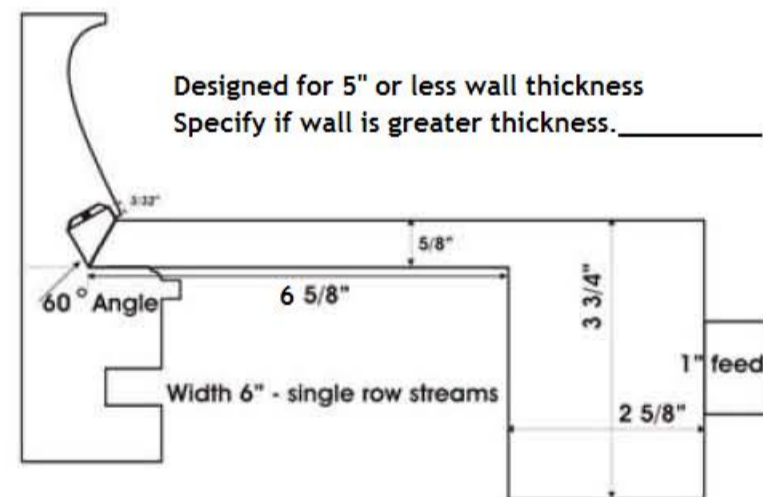


Aqua Spray (Cantilever Form Included)

(Size 6" with 12 streams at a 60 degree arc)

GA1206CF Mfg. _____
 Model _____
 Qty _____

Check One: Vinyl Pool _____ Concrete Pool _____



To Be Completed by: *The Great American Waterfall Company*

GA12 _____
 Product Number

_____ Price

_____ Availability



PO Box 5375—Spring Hill, FL 34611
 Ph: 888-683-0042
 Fax: 877-683-3442
 Email: sales@gawcinc.com
 www.gawcinc.com