

Aqua Shower SSR Guideline Form (GA06)

Date _____

Builder Name _____

Distributor & Contact _____

Phone Number _____

Phone Number _____

Fax Number _____

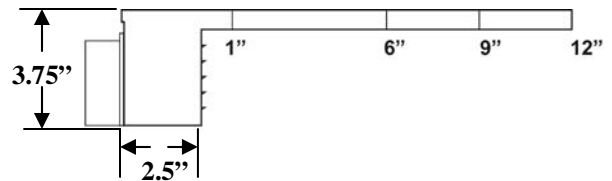
Fax Number _____

A- What is the size of the unit? _____ (In.)
 (Maximum size of a standard unit is 96 In.)

B- What is the length of the nozzle? _____ (In.)

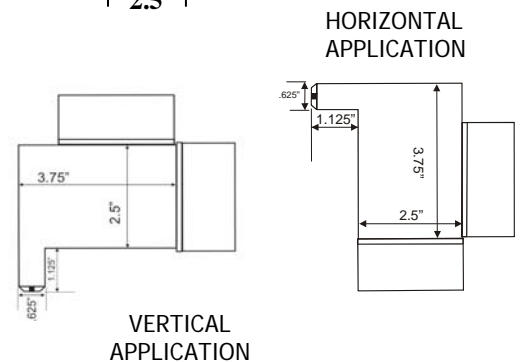
Standard nozzle lengths
 Other lengths available upon request

C- What color nozzle do you need? White Black Gray Tan
 (Circle One)



D - Horizontal OR Vertical App.?

E- Feed location? Top, Back, Bottom?
 (Over 4 ft will get 2 bottom feeds On horizontal applications) (Circle One)



F- How many of these units do you need? _____

Streams Single Row

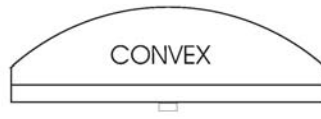
GPM = .5GPM/Inch 48 Streams/Lineal Ft. OR

GPM = .25 GPM/Inch 24 Streams/Lineal Ft.

Strainer/Filter Required

Radius Cut Option—No Charge

G- Which Radius Profile Below do you need? Circle and specify Radius Measurement.



Radius Measurement _____ ft. _____ in.
If radius is custom, send a template

To Be Completed by: <u>The Great American Waterfall Company</u>		
GA06 Product Number	Price	Availability



PO Box 5375—Spring Hill, FL 34611
 Ph: 888-683-0042
 Fax: 877-683-3442
 Email: sales@gawcinc.com
 www.gawcinc.com