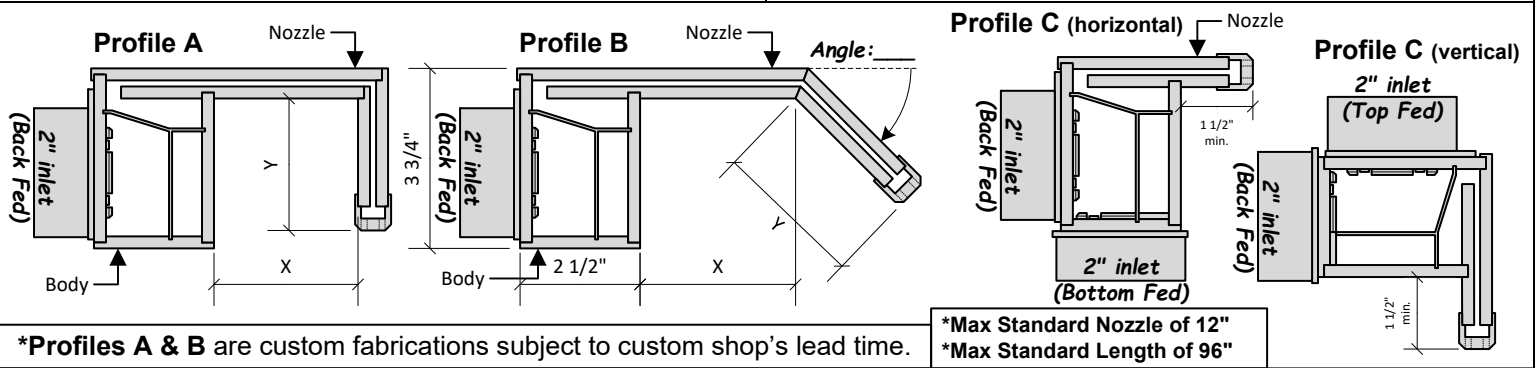


Aqua Rain Guideline Form (GA03)

Date: / /

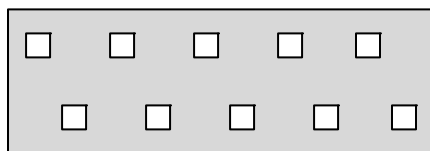
Builder Name (REQUIRED):	Dist.:
Job Name (REQUIRED):	Contact:
Phone:	Phone:
Email:	Email:



Application descriptions:
Profile A is the traditional Rain Fall application where nozzle is installed over a structural member.
Profile B is this same Rain Fall application where the nozzle angle is required to modify the direction of water.
Profile C is the shorter nozzle application formerly known as the Shower for more compact Rain fixture applications.

1. Which Profile: _____	5. If Profile "C" (circle): Horizontal Vertical	Circle a Nozzle Color: White Black Gray Tan <i>*Hammered</i> Bronze Silver Copper
2. Unit Length: _____	6. Back Fed or Bottom Fed (circle): Back Bottom Top	
3. Nozzle Length: _____ (Profile C)	7. "X" Length: _____ "Y" Length: _____ (Profile A & B)	
4. How many units do you need: _____	8. Angle of Nozzle: _____ (Profile B)	

Circle One:



SDR (Double Row) .66 gpm/in.
Minimum nozzle length = 1-1/2"



SSR (48 holes/ft.) .5 gpm/in.
Minimum nozzle length = 1-1/8"



SSR (24 holes/ft.) .25 gpm/in.
Minimum nozzle length = 1-1/8"

***Radius options are available**

**Debris within fixtures are not a material or workmanship related defect(s), and is/are not a warrantable claim. In-line strainer/filter can be installed as a preventative measure per plan as provided by project's design professional.*

**GAWC fixtures have recommended installation guidelines which can be found on our website or provided upon request by our office. Additional "means & method" of install should be provided by the licensed and insured contractor purchasing the product.*

**GAWC can be contacted for any custom fabrication or install, contact info provided below.*

	P.O. Box 5375 Spring Hill, FL 34611 Ph: (888) 683-0042 Fax: (877) 683-3442 Email: sales@gawcinc.com www.gawcinc.com	To Be Completed by: Great American Waterfall Co.		
	Product Number	Price	Availability	