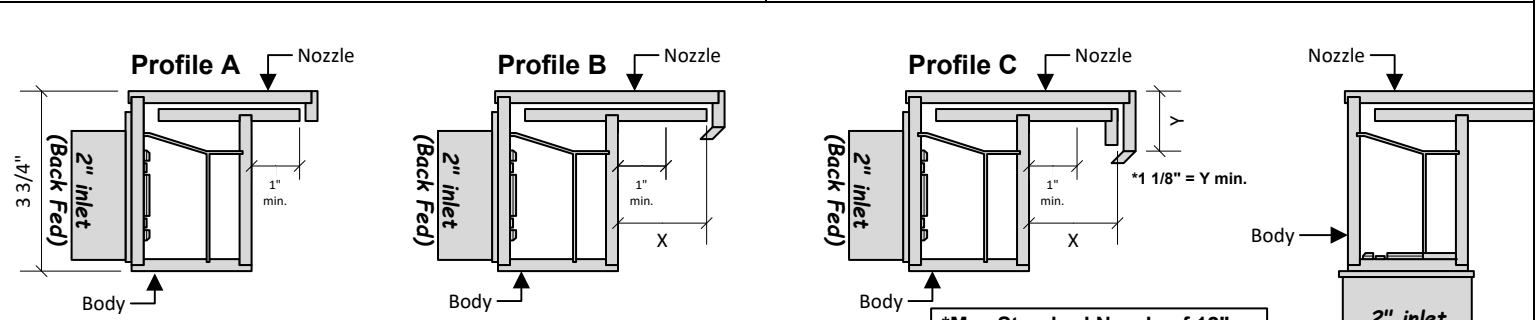


Aqua Storm Guideline Form (GA07)

Date: / /

Builder Name (REQUIRED):	Dist.:
Job Name (REQUIRED):	Contact:
Phone:	Phone:
Email:	Email:



***Profiles B & C are custom fabrications subject to custom shop's lead time.**

***Max Standard Nozzle of 12"**
***Max Standard Length of 96"**

Application descriptions:

Profile A is the traditional Storm application where water exits directly down at end of nozzle as a sheet (1 gpm/in.); modified by SSR (see below) water can exit down in stream patterns.

Profile B is this same Storm application with an angled deflector to create a Wet Wall, where "X" can be modified for thickness of wall.

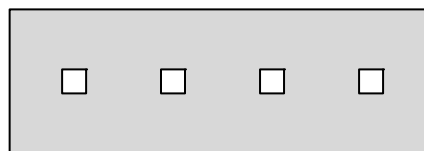
Profile C provides that both "X" & "Y" lengths can be modified to customize a Wet Wall to a designer's specific need.

1. Which Profile: _____	5. Back Fed or Bottom Fed (circle): Back Bottom	<p>Circle a Nozzle Color:</p> <p>White Black Gray Tan</p> <p>*Hammered</p> <p>Bronze Silver Copper</p>
2. Unit Length: _____	6. "X" Length: _____ (Profile B & C)	
3. Nozzle Length: _____ (Profile C)	7. "Y" Length: _____ (Profile C)	
4. How many units do you need: _____	*Flow Rate* for Profile B & C can range from 1/2-1 gpm/in. based on designer preference.	

Available for Profile A only, Circle One:



SSR (48 holes/ft.) .5 gpm/in.



SSR (24 holes/ft.) .25 gpm/in.

***Radius options are available**

****Debris within fixtures are not a material or workmanship related defect(s), and is/are not a warrantable claim. In-line strainer/filter can be installed as a preventative measure per plan as provided by project's design professional.***

****GAWC fixtures have recommended installation guidelines which can be found on our website or provided upon request by our office. Additional "means & method" of install should be provided by the licensed and insured contractor purchasing the product.***

****GAWC can be contacted for any custom fabrication or install, contact info provided below.***

	P.O. Box 5375 Spring Hill, FL 34611 Ph: (888) 683-0042 Fax: (877) 683-3442 Email: sales@gawcinc.com www.gawcinc.com	To Be Completed by: Great American Waterfall Co.		
	Product Number	Price	Availability	